

# EXTRA1 HORIZONTAL

CALORIFIERS WITH 1 EXTRACTABLE HEAT EXCHANGER



### APPLICATION

Production and storage of sanitary hot water.

### MATERIAL

Material and finishings, suitable for drinkable water according to D. M. n. 174 dated 06.04.04.;

- Mild steel Polywarm® coated (certification ACS - SSICA - DVGW - W270 - UBA - WRAS).

### HEAT EXCHANGER:

1 heat exchanger with 316L stainless steel or copper tubes.

### INSULATION

NOFIRE® polyester fibre 100% made of recyclable material, with high thermal insulation. Fire resistance class B-s2d0 according to EN 13501. Grey PVC external lining.

### CATHODE PROTECTION

Magnesium anode with anoden tester (Polywarm®) - Models > 1500 n° 2 magnesium anodes.

### GASKET- FLANGE PLATE

Silicone gaskets suitable for alimentary use for max temperature up to 200°C. Mild steel exchanger head with anticorrosion treatment.

### WARRANTY

- 5 years (Polywarm®) - See general sales conditions and warranty.

**ACCESSORIES AND SPARE PARTS:** See Accessories section for the entire list.

POLYWARM®



POLYWARM®



TECHNICAL DATA AND ECODESIGN ERP LABELS AVAILABLE ONLINE AT [WWW.CORDIVARI.COM](http://WWW.CORDIVARI.COM)

### EXTRA 1 WXC OR

Model	D.H.W. Storage: POLYWARM® coated Heat Exchanger: STAINLESS STEEL	ErP	ENERGY EFFICIENCY CLASS	HEAT EXCHANGER SURFACE
	Art. Nr.			[m <sup>2</sup> ]
200	3072161430001		E	0,5
300	3072161430002		E	0,75
500	3072161430003		E	1
800	3072161430004		F	1,5
1000	3072161430005		F	2
1500	3072161430006		F	3
2000	3072161430007		G	4
3000	3072161430008			5
4000	3072161430009			8
5000	3072161430011			10

### EXTRA 1 WRC OR

Model	D.H.W. Storage: POLYWARM® coated Heat Exchanger: COPPER	ErP	ENERGY EFFICIENCY CLASS	HEAT EXCHANGER SURFACE
	Art. Nr.			[m <sup>2</sup> ]
200	3072161420001		E	0,5
300	3072161420002		E	0,75
500	3072161420003		E	1
800	3072161420004		F	1,5
1000	3072161420005		F	2
1500	3072161420006		F	3
2000	3072161420007		G	4
3000	3072161420008			5
4000	3072161420009			8
5000	3072161420011			10

Data have been calculated on following basis: Primary circuit at 80 °C, and proper energy source; Production of DHW in continue way from 10 °C at t2; DHW that can be taken in the first 10' and in the first hour from storage at 60°C, input 10°C and output 45°C; Sanitary water according to UNI CTI 8065.

Even if tanks are tested to resist till max temperature the local legislation has always to be observed during the use.

Model	Ignition Time	Output	Continous production of DHW	DHW produced in the first 10 Min.	DHW produced in the first hour	Flow rate	Exchanger pressure loss	
	[min]	[Kw]	[lt/h]	[lt/10']	[lt/60']	[m <sup>3</sup> /h]	[mm.H <sub>2</sub> O]	[mbar]
200	49	18	455	347	635	2	309	30,3
300	48	28	701	524	968	3	372	36,5
500	60	38	947	844	1443	4	419	41,1
800	59	59	1466	1301	2230	6	718	70,4
1000	54	86	2127	1776	3123	10	1380	135,3
1500	53	133	3290	2677	4761	15	2295	225,1
2000	52	180	4453	3564	6384	20	2996	293,8
3000	65	216	5361	5144	8539	20	2436	238,9
4000	57	330	8168	6918	12092	20	3896	382,1
5000	60	401	9921	8639	14923	20	4707	461,6

— Accessories on request —

#### "Easy Control" Electronic Display

ART. NR.
5005000310002



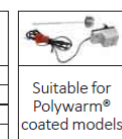
#### Thermometer

Art. Nr.
5032240000107
5 units box



#### Titanium electronic anode

Art. Nr.	Model
5200000000008	200, 300
5200000000009	500, 800
5200000000011	1000, 1500
5200000000013	2000÷5000

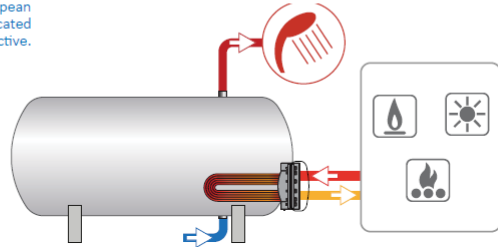
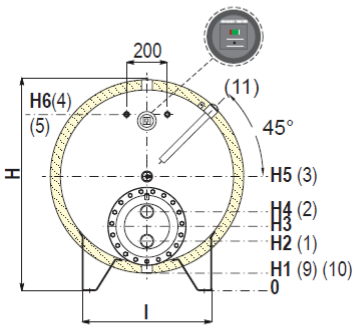
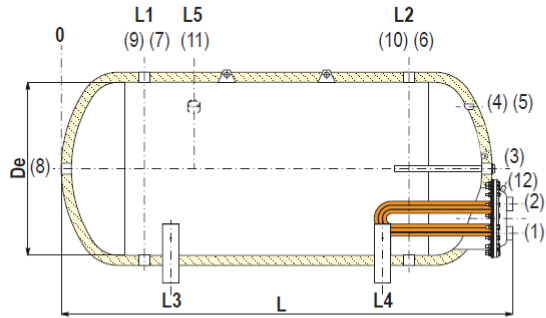


# EXTRA1 HORIZONTAL

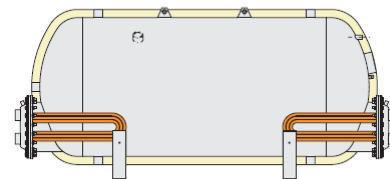
## CALORIFIERS WITH 1 EXTRACTABLE HEAT EXCHANGER

STORAGE		HEAT EXCHANGERS	
Pmax	Tmax	Pmax	Tmax
8 bar	90 °C	12 bar	110 °C


**CORDIVARI Lab**  
 TÜV Rheinland  
 Energie und Umwelt  
 GmbH states that test  
 procedures and Cordivari LAB are  
 certified conforming to European  
 standard EN 15332, as indicated  
 by Ecodesign ErP Directive.



1	Heating water back to the buffer
2	Entry heating water from the buffer
3	Connection for magnesium anode
4-5	Connection for instrumentation 1/2" Gas F
6-7	Domestic hot water outlet
8	Recirculation
9-10	Sanitary water inlet / DRAIN
11	Connection for 2nd anode 1" 1/4 Gas F (only for models > 1500)
12	Air spurge heat exchanger 3/8" Gas F



VERSION WITH 2 EXTRACTABLE HEAT EXCHANGERS AVAILABLE ON REQUEST

Model	Net Volume [litres]	De	L	H	L1	L2	L3	L4	L5	H1	H2
					[mm]						
200	190	450	1534	601	294	1094	359	1029	-	41	191
300	285	550	1585	760	320	1120	390	1050	-	100	287
500	480	650	1874	855	345	1395	440	1300	-	95	332
800	740	750	2191	951	375	1675	505	1545	-	91	297
1000	995	850	2201	1046	408	1708	538	1578	-	86	226
1500	1490	950	2571	1142	424	1974	579	1819	-	72	247
2000	1975	1100	2626	1283	470	2020	610	1880	858	63	263
3000	2975	1250	2956	1524	495	2295	695	2095	945	154	324
4000	3890	1450	3066	1707	560	2360	665	2255	1010	137	307
5000	4890	1600	3107	1845	583	2383	783	2183	1033	125	305

Model	H3	H4	H5	H6	I	1-2	4-5	3-8	6-7-9-10	11
	[mm]					Connections Gas F				
200	241	291	446	446	364	1"	1/2"	1" 1/4	1" 1/4	-
300	337	387	555	619	419	1"	1/2"	1" 1/4	1" 1/4	-
500	382	432	600	664	477	1"	1/2"	1" 1/4	1" 1/4	-
800	387	477	666	766	577	2"	1/2"	1" 1/4	1" 1/2	-
1000	316	406	561	866	636	2"	1/2"	1" 1/2	1" 1/2	-
1500	337	427	597	952	760	2"	1/2"	2"	2"	-
2000	368	473	663	1018	849	2"	1/2"	2"	2"	1" 1/4
3000	429	534	829	1184	981	2"	1/2"	2"	2"	1" 1/4
4000	412	517	912	1267	1101	2"	1/2"	2"	3"	1" 1/4
5000	410	515	975	1330	1189	2"	1/2"	2"	3"	1" 1/4